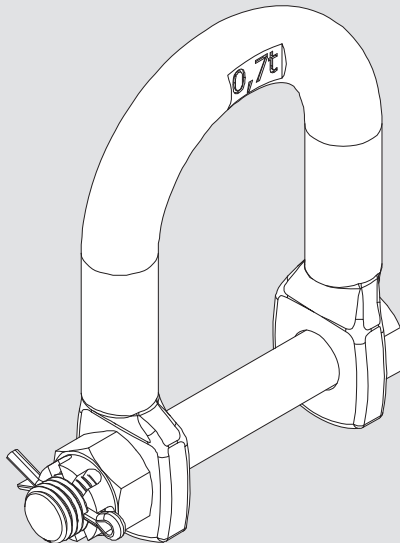


**Crane Eye CB 240-2 0.7 t**  
Item no. 127821

Translation of the Original Instructions for Use



# Content

## Introduction

Overview	1
Safety Instructions	2
Intended Use	4
Instructions for Use	5
Storage and Transportation	6
Additional technical documentation	6
Care and Maintenance Instructions	6
Markings	7
Inspections	8

## Application

Working Platform CB 240 without guardrail height extension	10
Working Platform CB 240 with guardrail height extension	12
Assembly	14
Transport of load	16
Dismantling	17
Disposal	18

## Appendix

Components	19
EC Declaration of Conformity	20

### Key



Safety Instructions



Visual Check



Safety helmet



Safety glasses



Tip



Load-bearing point



Safety shoes



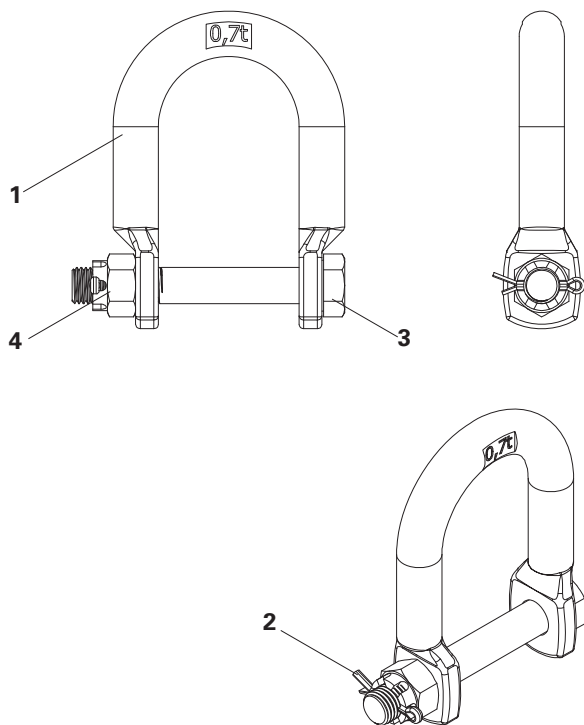
Note



Safety gloves

# Introduction

## Overview



- (1) Crane D-Ring
- (2) Split Pin
- (3) Bolt
- (4) Castle Nut

## Introduction

### Safety Instructions

#### General

When using PERI load-carrying equipment, the Instructions for Use and markings are to be complied with at all times!

For the application and inspection of our products, the current safety regulations and guidelines in the respective countries where they are being used must be observed at all times.

The contractor must ensure that the Instructions for Use provided by PERI are available at all times for the users and that they are fully understood!

The contractor can only assign those persons to independently use load-carrying equipment who are actually familiar with the task!

PERI load-carrying equipment is to be used accordingly so that persons are never put at risk in any way!

The maximum bearing capacity of PERI load-carrying equipment must not be exceeded!

All persons using the load-carrying equipment must check the equipment during use for obvious defects (e.g. deformations, cracks, breaks, incomplete markings)!

Do not use damaged load-carrying equipment!

PERI load-carrying equipment may not be used in the case of illegible or missing markings!

The contractor must ensure that the personal protective equipment required for the assembly, modification or dismantling of the system is available and used as intended.

## Introduction

### Safety Instructions

#### Product-Specific

The person who attaches the load to the load-carrying equipment must be sufficiently secured against falling. In all cases, the load must be secured against falling over and sliding!

Move loads only during safe wind conditions. Observe storm warnings! Depending on the type of load and the surface area subjected to wind attack, the decision whether sufficient safety is in place when moving the load is taken on the jobsite.

The lifting equipment which is attached to the Crane Eye CB 240-2 0.7 t must be equipped with a hook securing device.

The operator may begin to move the load only if he is completely satisfied that the load has been correctly attached.

Ensure loads are evenly balanced when being picked up! Loads must be sufficiently stable both in their form and position so that the load does not move during transportation!

Ensure that the load is in a safe and secure position before releasing the load-carrying equipment!

Always lift up or set down loads smoothly without any jerking!

Before moving, remove or secure any loose components!

Persons are not allowed to remain under the load being lifted!

Transporting persons on the load is prohibited!

Ensure that the lifting gear, such as steel wire ropes and chains, is not knotted or twisted! The lifting chains of the load-carrying equipment are not to be wrapped around the load to be transported nor stretched over sharp edges! Twisted chains must be straightened!

For a better understanding, detailed illustrations are partly incomplete. The safety installations which have possibly not been featured in these detailed drawings must nevertheless be available.

## Introduction

### Intended Use

PERI products have been designed for exclusive use in the industrial and commercial sectors only by suitably trained personnel!

The Crane Eye CB 240-2 0.7 t is classified as load-lifting equipment which is used as a load-bearing point for accommodating tensile forces. The Crane Eye CB 240-2 0.7 t may be used only as a connection between working platforms from the CB 240 climbing system and lifting equipment.

The Crane Eye CB 240-2 0.7 t is not used in continuous operations and, after being mounted, becomes an integral part of the load.

The Crane Eye CB 240-2 0.7 t may only be permanently attached to the specifically designated points on the approved working platform.

Only one sling of a four-sling lifting gear may be installed in the Crane Eye CB 240-2 0.7 t.

It is not permitted to transport persons using the Crane Eye CB 240-2 0.7 t.

These Instructions for Use contain information for ensuring proper handling and correct application, inspection and maintenance.

The product described here corresponds to the relevant provisions and regulations of EU Machinery Directive 2006/42/EC.

These Instructions for Use provide the basis for the risk assessment. The risk assessment shall be compiled by the contractor. The Instructions for Use do not replace the risk assessment!

The Crane Eye CB 240-2 0.7 t may only be used:

1. Within the permissible load-bearing capacity.
2. Within the permissible temperature limits of -20 °C to +60 °C.
3. When in faultless condition.
4. If correctly mounted.

## Introduction

### Instructions for Use

The use in a way not intended or deviating from the intended use according to the Instructions for Use represents a misapplication with a potential safety risk.

Changes to PERI components are not permitted.

Only PERI original components may be used. The use of other products and spare parts represents a misapplication with associated safety risks.

Operations with damaged or missing original components of the Crane Eye CB 240-2 0.7 t are not permissible.

Lifting operations can only commence if it has been ensured that the load is properly connected to the lifting equipment.

## Introduction

### Storage and Transportation

Store and transport the load-carrying equipment so it cannot unintentionally change its position or be damaged in any way.

Do not drop the load-carrying equipment.

During the moving procedure with the crane, ensure that components are picked up and set down so that any unintentional falling over, falling apart, sliding, falling to the ground or rolling is avoided.

Do not place any loads on the load-carrying equipment.

Use original PERI storage and transport systems, e.g. crate pallets.

Store in dry, clean and corrosion-protected conditions at temperatures from -20 °C to + 60 °C.

PERI load-carrying equipment must be protected against the effects of the weather and aggressive materials if safety is then likely to be affected!

During transport, intermediate storage or when remaining suspended on the load, ensure that it remains free of dirt and that its functionality is not affected.

### Additional technical documentation

- Instructions for Assembly and Use CB 240
- CB 240 and CB 160 Climbing System Brochures

### Care and Maintenance Instructions

The load-carrying equipment has been designed for long-term use on construction sites.

In order to ensure economical, technical and safe use over the long term, attention must be paid that the equipment is handled carefully at all times.

Repairs are to be carried out by authorized PERI personnel only. Only original PERI components may be used.

The repair or replacement of worn components is absolutely essential.



## Introduction

### Markings

#### Marking of the Crane Eye CB 240-2 0.7 t



#### Important

The Crane Eye CB 240-2 0.7 t must not be used if the marking is missing or illegible!

---

**1a** Permissible load-bearing capacity  
(Fig. 1)

**1b** CE Marking (Fig. 2)

---

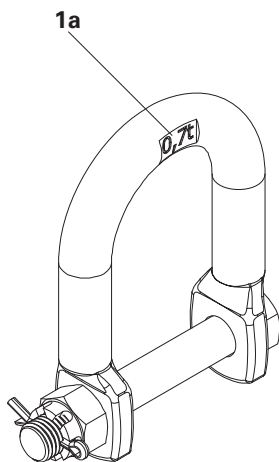


Fig. 1

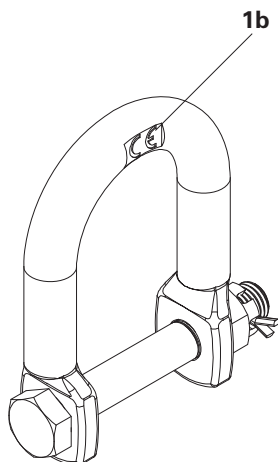


Fig. 2

## Introduction

### Inspections

#### 1. General

The procedure described in this section is based on the current German regulations for testing and inspections.

The respective regulations of the individual states and countries where this product is used must be taken into account.

The contractor is responsible for determining the type, range and deadlines regarding the required checks to be carried out on the work equipment. As a result of these checks, any safety-related defects are to be systematically identified and remedied.

#### 2. Purpose

Due to the check carried out before the initial operations as well as regularly recurring inspections of the load-carrying equipment, it can be ensured that operational and functional reliability is guaranteed.

#### 3. Responsibility

The contractor must ensure that the load-carrying equipment is put into operation only if it has been inspected by a qualified person.

#### 4. Inspection

##### 4.1 Safety check

It has to be verified whether all defects have been rectified or non-functioning products have been replaced.

##### 4.2 Implementing the inspection

The inspection includes a visual and functional check:

- Deformation, wear and lengthening of the components.
- The Crane Eye CB 240-2 0.7 t may no longer be used if there is a geometric deviation of more than 3% of the original material diameter. (Fig. 3)
- The Crane D-Ring (1) may no longer be used if there is a deviation of dimension 62 mm by a maximum of 10%. (Fig. 3)
- Mechanical damage.
- Availability of all components.
- Damage due to corrosion.
- Cracks, bending, flattening, notches on welding seams and components.
- Only original PERI components may be used.
- Indications of impermissible heating or contact with fire.
- Markings must be legible.

##### 4.3 Functional check

- Free and easy movement of moving parts.
- Locking system works correctly.
- Eyes or shackles for fastening purposes can be used.

##### 4.4 Measures

If any defects are determined during the safety inspection, they must be eliminated according to the instructions provided by the inspector. A new inspection is subsequently to be carried out.

# Introduction

## Inspections

### 4.5 Inspection before starting work

- Check that the load-bearing capacity of the Crane Eye CB 240 0.7 t is sufficient for the weight of the load.
- Check Crane Eye CB 240-2 0.7 t for any defects.
- The bolt (3) must be pushed through the two legs of the Crane D-Ring (1) without exerting any force.
- The Crane D-Ring (1) must rotate freely around the bolt (3) in the axial direction.
- The Castle Nut (4) must be available and correctly positioned.
- The Split Pin (2) must be securely in position and functional. (Fig. 4)
- Attach crane lifting gear to the Crane D-Ring (1).
- Firstly, lift and lower the working platform only a short distance from the ground, then set down and release.

Implementation of anything beyond the usual scope of inspection is subject to the discretion of the competent person and can extend to additional checks.



**Danger**

**Fall hazard! The Split Pin is a securing element and must always be available and correctly mounted!**

<b>1</b>	Crane D-Ring	1x
<b>2</b>	Split Pin DIN ISO 1234-4x30-ST	1x
<b>3</b>	Hex. Bolt DIN ISO 4014-M16x110 8.8 VZ	1x
<b>4</b>	Castle Nut DIN 935-M16-8 VZ	1x

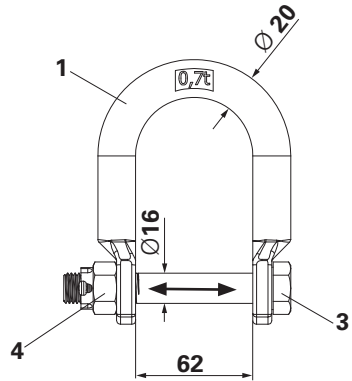


Fig. 3

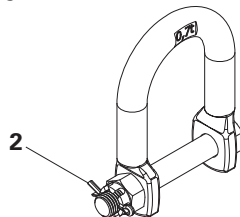


Fig. 4

# Application

## Working Platform CB 240 without guardrail height extension



### Danger

The 0.7 t load-bearing capacity of the Crane Eye CB 240-2 0.7 t may not be exceeded!

The Crane Eye CB 240-2 0.7 t is not designed for transporting site personnel!

Do not stand under suspended loads!

### Load Factor: 3

(According to DIN 13155 = ratio of the breaking load to the permissible load-bearing capacity).

Crane sling angle $\beta$	Load-bearing capacity F1	
30°	0,7 t	7,0 kN



### Before attaching

Only one Crane Eye CB 240-2 0.7 t may be fixed to each climbing bracket (5). (Fig. 6a)

Only one sling of the crane lifting gear may be directly attached to each Crane Eye (6) of the Guardrail Holder. (Fig. 6b)

Only one sling of the four-sling lifting gear may be attached to each Crane Eye CB 240-2 0.7 t and Crane Eye (6) of the Guardrail Holder respectively. (Fig. 6)

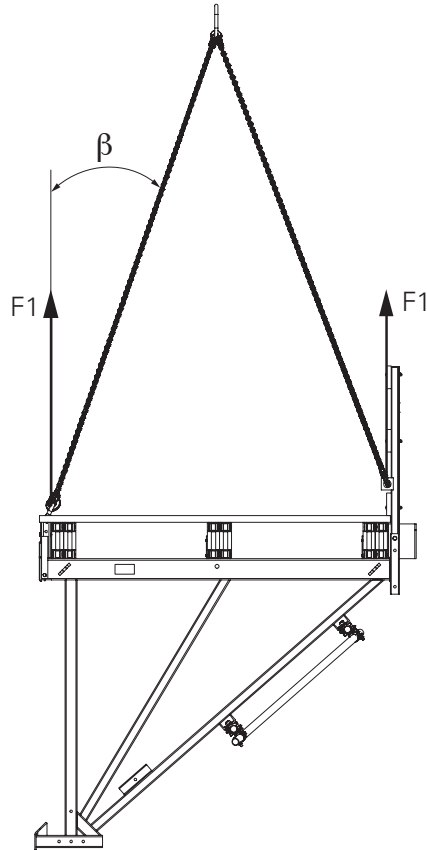


Fig. 5

# Application

## Attaching



### Danger

**Risk of falling! For transporting the working platform, only four-sling lifting gear with chains of sufficient length, load-bearing capacity and securing mechanism may be used!**

(Fig. 6)

1. Attach Hook (H) of the lifting gear to the Crane D-Ring (1) of the Crane Eye CB 240-2 0.7 t and secure. (Fig. 6a)
2. Attach Hook (H) directly into the Crane Eye (6) of the Guardrail Post CB 240 and secure. (Fig. 6 + 6b)

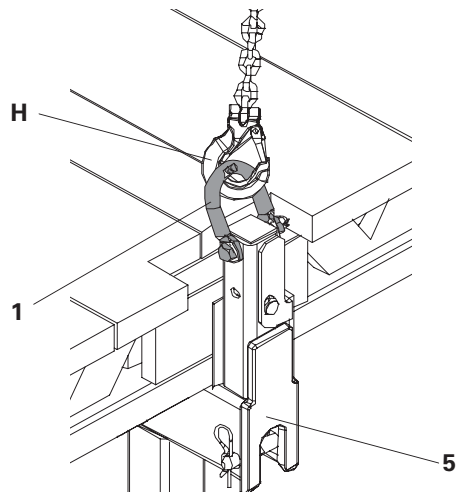


Fig. 6a

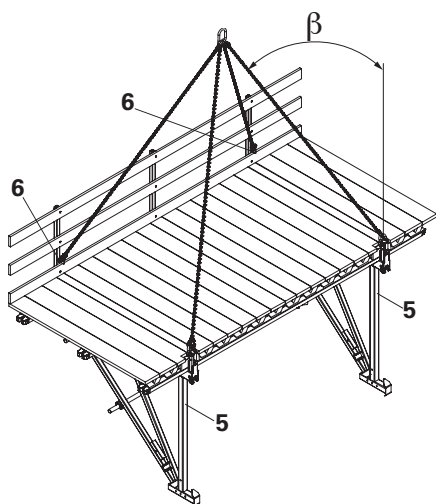


Fig. 6

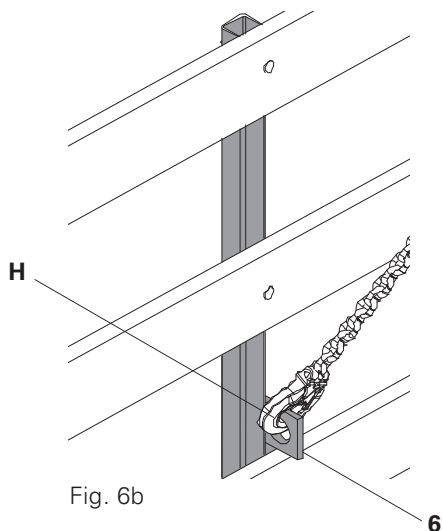


Fig. 6b

# Application

## Working Platform CB 240 with guard-rail height extension



### Danger

**Fall hazard! The 0.7 t load-bearing capacity of the Crane Eye CB 240-2 0.7 t may not be exceeded!**  
**The Crane Eye CB 240-2 0.7 t is not designed for transporting site personnel!**  
**Do not stand under suspended loads!**

### Load Factor: 3

(According to DIN 13155 = ratio of the breaking load to the permissible load-bearing capacity).

Crane sling angle $\beta$	Load-bearing capacity F1	
30°	0,7 t	7,0 kN



### Before attaching, check:

Only one Crane Eye CB 240-2 0.7 t may be fixed to each climbing bracket (5). (Fig. 8a)

Only one Crane Eye CB 240-2 0.7 t may be fixed to each guardrail height extension (7). (Fig. 8b)

Only one sling of the four-sling lifting gear may be attached to each Crane Eye CB 240-2 0.7 t. (Fig. 8)

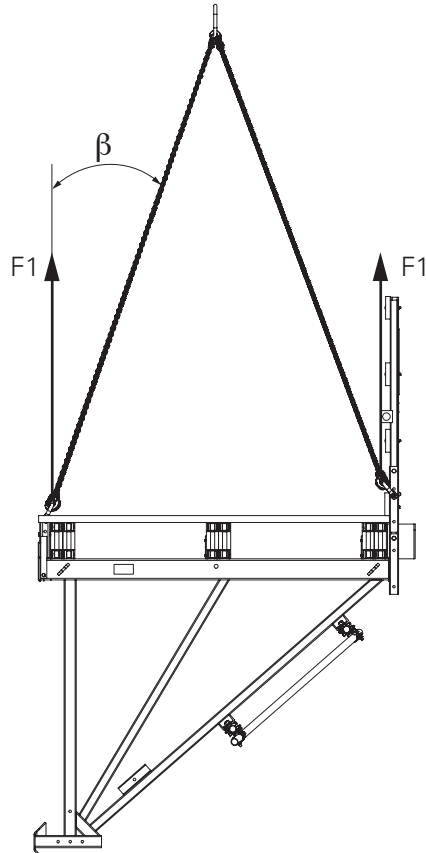


Fig. 7

# Application

## Attaching

1. Attach Hook (H) of the lifting gear to the Crane D-Ring (1) of the Crane Eye CB 240-2 0.7 t and secure. (Fig. 8a)
2. Attach Hook (H) in the Crane Eye of the Guardrail Post Extension CB 240 (7) with the Crane Eye CB 240-2 0.7 t and secure. (Fig. 8b)



For transporting the working platform, only four-sling lifting gear with chains of sufficient length, load-bearing capacity and securing mechanism may be used! (Fig. 8)

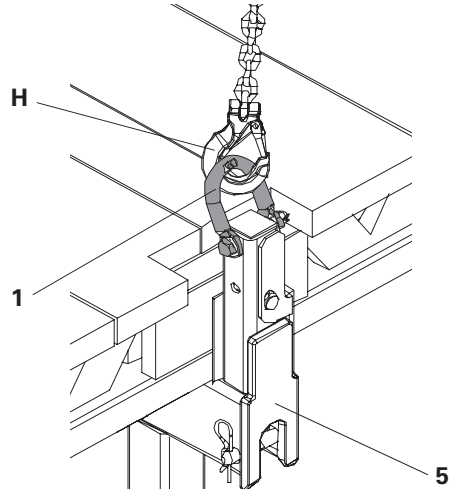


Fig. 8a

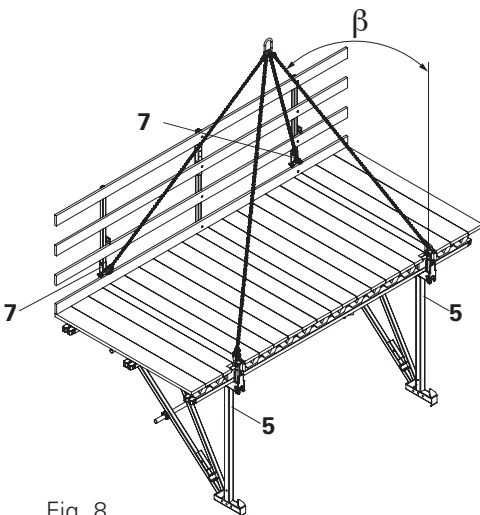


Fig. 8



## Danger

**Fall hazard! When using the Guardrail Post Extension (7), the Crane Eye (6) of the Guardrail Posts CB 240 may not be used as a fixing point!**

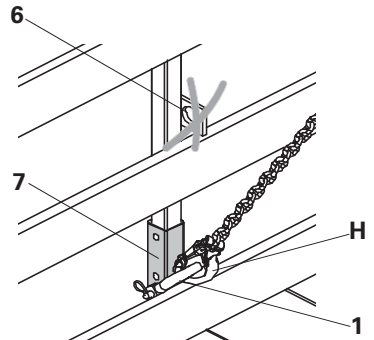


Fig. 8b

# Application

## Assembly



### Danger

**Risk of falling! Only PERI original components may be used!**  
**All components of the Crane Eye CB 240-2 0.7 t must be available!**  
**Before initial operations, check that the Crane Eye CB 240-2 0.7 t has been properly installed and functions correctly!**



1. Remove Split Pin (2). (Fig. 9)
2. Loosen Castle Nut (4) by turning anti-clockwise and remove from Bolt (3). (Fig. 9)
3. Remove Bolt (3).
4. Place Crane D-Ring (1) on mounting position. (Fig. 10)
5. Push the Bolt (3) through the holes of the Crane D-Ring (1) and top hole of the Climbing Bracket (5). (Fig. 10)
6. Screw Castle Nut (4) onto the Bolt (3) in a clockwise direction.
7. Insert the Split Pin (2) through the hole in the Bolt (3) and spread pin arms. (Fig. 11a)



Check the connection of the Crane Eye CB 240-2 0.7 t to the working platform to ensure:

- dimensional stability,
- components are undamaged,
- no missing components.

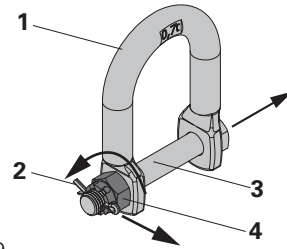


Fig. 9

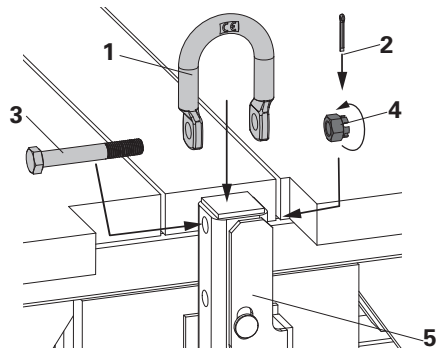


Fig. 10

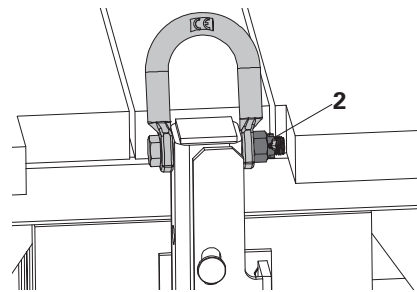


Fig. 11

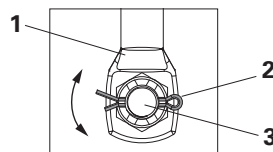


Fig. 11a



# Application

## Mounting on Guardrail Post Extension CB 240

1. Remove Split Pin (2). (Fig. 9)
2. Loosen Castle Nut (4) by turning anti-clockwise and remove from Bolt (3). (Fig. 9)
3. Remove Bolt (3).
4. Place Crane D-Ring (1) on mounting position on the Guardrail Post Extension (7). (Fig. 12)
5. Push the Bolt (3) through the holes of the Crane D-Ring (1) and third hole from the top of the Guardrail Post Extension (7). (Fig. 12)
6. Screw Castle Nut (4) on to the Bolt (3) in a clockwise direction.
7. Insert the Split Pin (2) through the hole in the Bolt (3) and spread pin arms. (Fig. 11a)



The procedure described here is an exemplary presentation and applies to all working platforms of the CB 240 system. Take into account the installation situation of different assembly versions! See Instructions for Assembly and Use for Climbing Formwork CB 240.



**Danger**

**Risk of falling! When using the Guardrail Post Extension (7), the Crane Eye (6) of the Guardrail Posts CB 240 may not be used as a fixing point!**

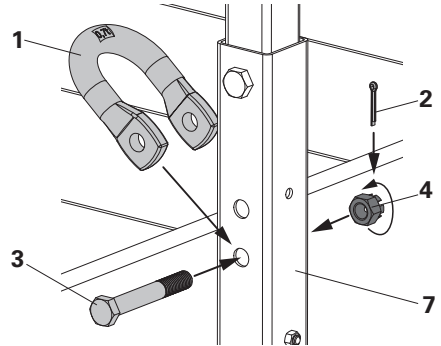


Fig. 12

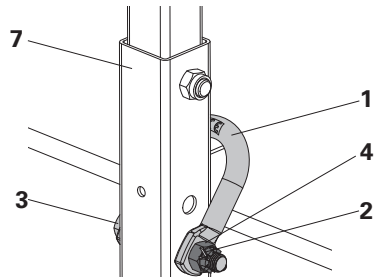


Fig. 13

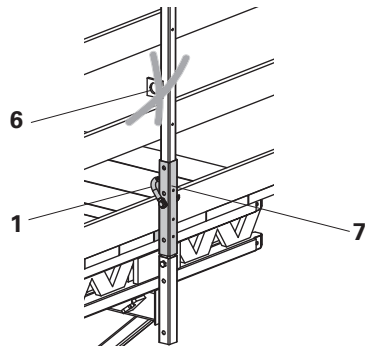


Fig. 14

# Application

## Transport of load



### Warning

**Personal protection equipment is to be worn during all transportation phases!**



## Before lifting



### Important

**Carefully tension the lifting gear before lifting takes place!  
Ensure lifting is carried out smoothly (no jerking)!  
Lifting operations may only be started when it has been ensured that the load has been correctly attached.**

## During transportation



### Warning

**Do not stand under suspended loads!  
Do not transport persons!  
Do not transport any loose parts or other loads!  
Risk of falling components!  
Ensure uniform load distribution on the 4-sling lifting gear!**



Carefully lift the platform and move into position on the next wall section by means of a guide rope.



### Important

**Never set the load down abruptly!  
Never set down load on obstacles!  
Never set down load on uneven surfaces!  
Only set the load down on sufficiently load-bearing surfaces!**

## Mounting the working platform

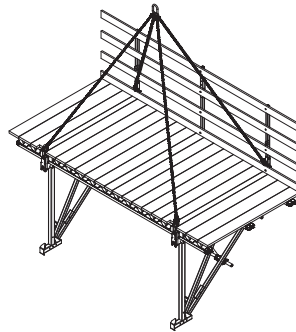


Fig. 15



It is mandatory to take into account the Instructions for Assembly and Use for the CB 240 system. In particular, the correct handling of the safety pins for securing the working platform in order to prevent lifting is to be taken into consideration.

# Application

## Dismantling



### Danger

**Fall hazard! Dismantling work must not be carried out on a suspended working platform! The working platform must be secured against tipping, rotating or sliding!**



1. Remove Split Pin (2).
2. Loosen Castle Nut (4) by turning anti-clockwise and remove from Bolt (3). (Fig. 16)
3. Remove Crane D-Ring (1) in an upwards direction from the mounting position. (Fig. 17)
4. Push the Bolt (3) through the holes of the Crane D-Ring (1). (Fig. 18)
5. Screw Castle Nut (4) on to the Bolt (3) in a clockwise direction.
5. Insert the Split Pin (2) through the hole in the Bolt (3) and spread pin arms. (Fig. 18a)
6. Place Crane Eye CB 240-2 0.7 t in a suitable PERI storage and transport container.

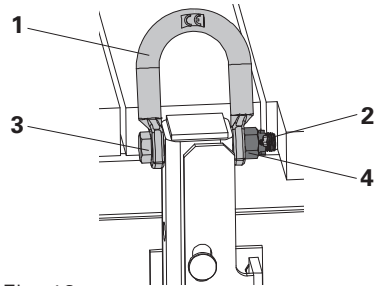


Fig. 16

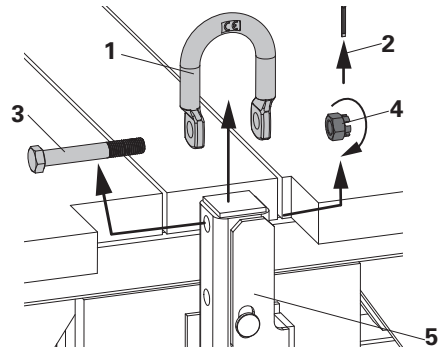


Fig. 17

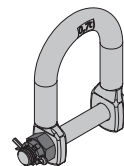


Fig. 18

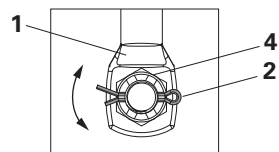


Fig. 18a

## Application

### **Disposal**

If it has been determined by an authorized person that the Crane Eye CB 240-2 0.7 t is no longer suitable for use:

- Crane Eye CB 240-2 0.7 t is to be disposed of correctly. It may no longer be used.
- The materials are to be separated according to type and then properly disposed of.
- The materials are to be disposed of according to local regulations and guidelines.

## Components

Item no.	Weight kg
127821	0,957

### Crane Eye CB 240-2 0.7 t

For mounting to the Climbing Bracket CB 240 when used as working scaffold.

#### Complete with

1 x 128335 Bolt ISO 4014 M16 x 110

1 x 126248 Castle Nut M16 DIN 935-8, galv.

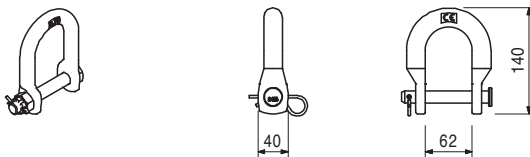
1 x 722825 Split Pin ISO 1234-04, 0 x 030 pc.

#### Important

Follow Instructions for Use!

#### Technical data

Permissible load-bearing capacity 700 kg.



# EC-declaration of conformity

## EG - Konformitätserklärung

im Sinne der EG-Richtlinie 2006/42/EG

Anhang II,1.A

**In der Gemeinschaft ansässige Person, die bevollmächtigt ist, die technischen Unterlagen zusammenzustellen:**

Dipl.-Ing. Rainer Bolz  
PERI GmbH  
Rudolf-Diesel-Straße 19  
89259 Weißenhorn

**Beschreibung und Identifizierung:**

Produktgruppe: Klettersysteme  
Typ: Lastaufnahmemittel  
Artikel-Nr.: 127821  
Handels-Bez.: Kranöse CB 240-2 0,7 t

**Es wird ausdrücklich erklärt, dass dieses Produkt allen einschlägigen Bestimmungen der folgenden EG-Richtlinien entspricht:**

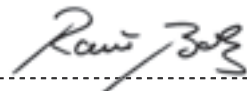
EG Maschinenrichtlinie 2006/42/EG

**Fundstelle der angewandten harmonisierten Normen entsprechend Artikel 7, Absatz 2:**

EN 13155 : 2009-08  
EN 12100 : 2011-03

Weißenhorn, 11.02.2014

**Hersteller**  
PERI GmbH  
Postfach 1264  
89259 Weißenhorn



---

**Leitung Produktentwicklung**

Dipl.-Ing. Rainer Bolz  
PERI GmbH

## EC-declaration of conformity

This document is a translation into English from the German original.

### **EC - declaration of conformity** according to the EC-Machinery Directive 2006/42/EC Annex II, 1.A

#### **Person residing within the Community authorised to compile the relevant technical documentation:**

Dipl.-Ing. Rainer Bolz  
PERI GmbH  
Rudolf-Diesel-Strasse 19  
89259 Weissenhorn

#### **Description and identification:**

Product Group: Climbing Systems  
Typ: Lifting Accessory  
Article-No.: 127821  
Commercial Designation: Crane Eye CB 240-2 0.7 t

#### **It is expressly declared that this product fulfil all relevant provisions of the following EU Directives:**

European Directive On Machinery 2006/42/EC

#### **Reference to the harmonised standards used, as referred to in Article 7, Annex 2:**

EN 13155 : 2009 - 08  
EN 12100 : 2011 - 03

Weissenhorn, 11.02.2014

**Manufacturer**  
PERI GmbH  
Postfach 1264  
89259 Weissenhorn

## The optimal System for every Project and every Requirement



Wall Formwork



Column Formwork



Slab Formwork



Climbing Systems



Tunnel Formwork



Bridge Formwork



Shoring Systems



Construction Scaffold



Facade Scaffold



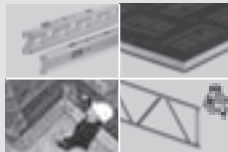
Industrial Scaffold



Access



Protection Scaffold



System-Independent Accessories



Services



**PERI L.L.C**  
**Formwork Scaffolding Engineering**  
 Palace Towers, Silicon Oasis  
 P.O. Box 27933, Dubai  
 United Arab Emirates  
 Tel. +971 (0) 4 326 2992  
 Fax +971 (0) 4 326 2993  
 perillc@peri.ae  
 www.peri.ae