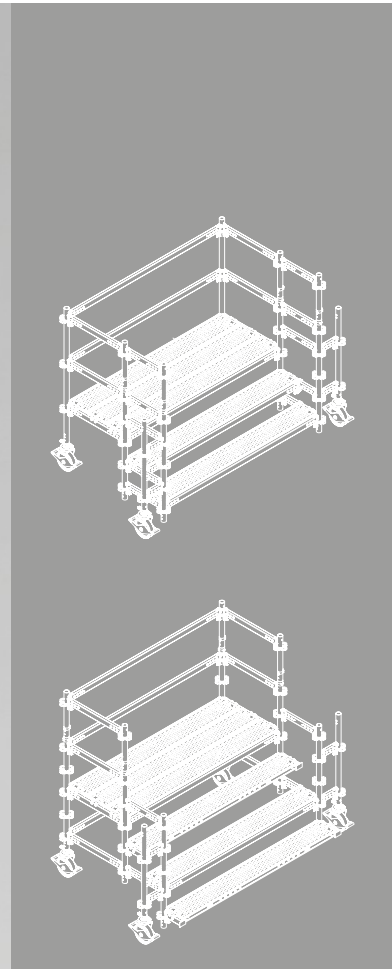
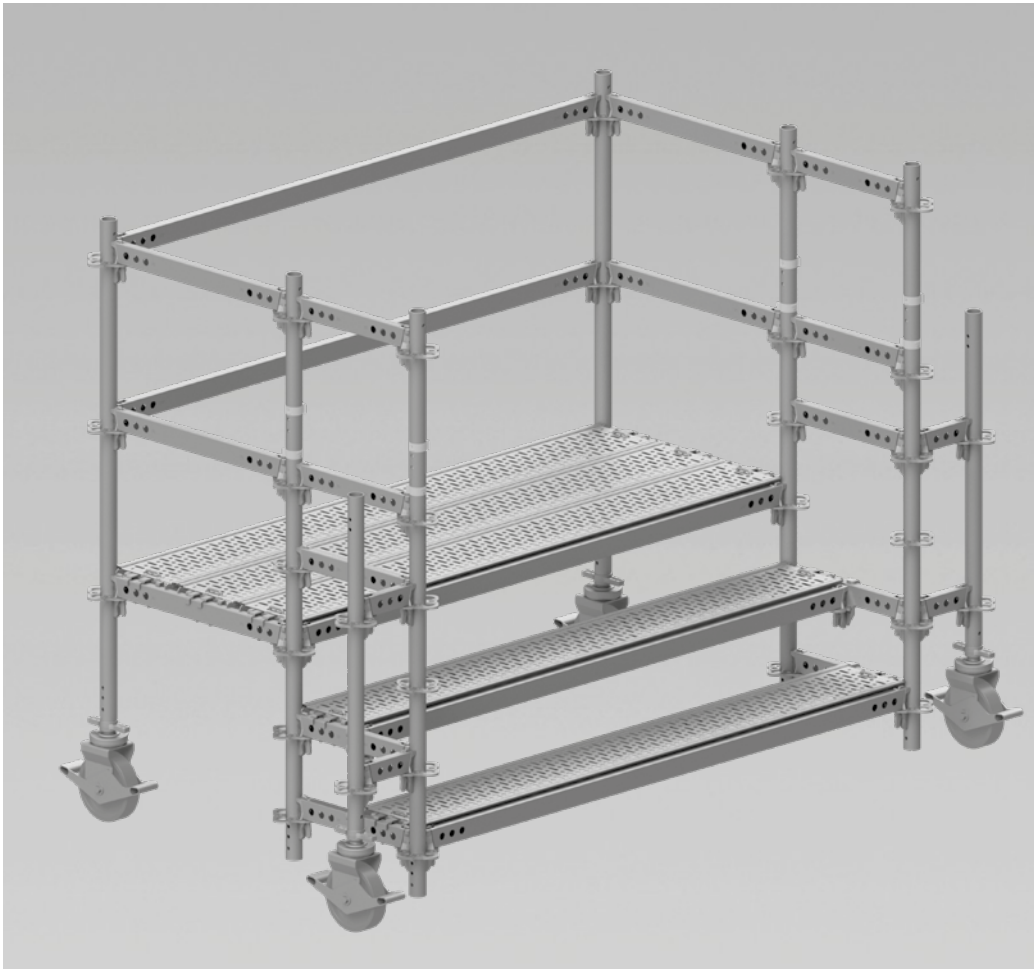


# PERI UP Flex

## Mobile Working Platform

User Information – Issue 03/2021  
incl. supplemental pages PERI UP Flex 2nd generation



## Key

### Pictogram | Definition



Danger / Warning / Caution



Note



To be complied with



Load-bearing point



Visual inspection



Tip



Incorrect use



Safety helmet



Safety shoes



Safety gloves



Safety goggles



Personal protective equipment to prevent falling from a height (PPE)

### Arrows



Arrow representing an action



Arrow representing a reaction of an action\*



Arrow representing forces

\* If not identical to the action arrow.

### Safety instruction categories

The safety instructions alert site personnel to the risks involved and provide information on how to avoid these risks. Safety instructions are featured at the beginning of the section or ahead of the instructions, and are highlighted as follows:



#### Danger

This sign indicates an extremely hazardous situation which, if not avoided, will result in death or serious, irreversible injury.



#### Warning

This sign indicates a hazardous situation which, if not avoided, could result in death or serious, irreversible injury.



#### Caution

This sign indicates a hazardous situation which, if not avoided, could result in minor or moderate injury.



#### Note

This sign indicates situations in which failure to observe the information can result in material damage.

### Format of the safety instructions



#### Signal word

Type and source of hazard!  
Consequences of non-compliance.  
⇒ Preventative measures.

### Dimensions

Dimensions are usually given in cm. Other measurement units, e.g. m, are shown in the illustrations.

### Conventions

- Instructions are numbered with:  
1. ...., 2. ...., 3. ....
- The result of an instruction is shown by: →
- Position numbers are clearly provided for the individual components and are given in the drawing, e.g. **1**, in the text in brackets, for example **(1)**.
- Multiple position numbers, i.e. alternative components, are represented with a slash: e.g. **1/2**.

### Notes on illustrations

To facilitate understanding, detailed illustrations are sometimes incomplete. The safety installations which have possibly not been shown in these detailed illustrations must nevertheless be available.

## Additional technical documentation

- Instructions for Assembly and Use:
  - PERI UP Flex Core Components
- Approvals:
  - Approval Z-8.22-863 PERI UP Flex Module System

## Safety instructions



- This user information is only valid in conjunction with the PERI UP Flex Core Components Instructions for Assembly and Use.
- The individual assembly operations must be taken from these Instructions for Assembly and Use.
- It is forbidden for persons to ride on the Mobile Working Platform.

### General

Only release brakes to move the Mobile Working Platform.

Move the Mobile Working Platform with caution.

Do not use the Mobile Working Platform as a storage area.

Secure the Mobile Working Platform in stand-by mode or dismantle to prevent toppling and unintentional horizontal movement.

### Assembly

The erection surface must be level and must have sufficient load-bearing capacity.

## Intended use

### Product description

PERI products have been designed for exclusive use in the industrial and commercial sectors only by suitably trained personnel.

The system is based on PERI UP Flex Modular Scaffold with supplementary components.

The system is designed for two workers and one SKYMAX Panel SXP 200x100 with a total weight of 300 kg.

Permissible working wind load:  
 $q = 0.15 \text{ kN/m}^2$  ( $v = 15.5 \text{ m/s}$ )

The access routes on the construction site must be free of obstacles, tripping hazards, ledges and height off-sets.

The access routes must be level, have sufficient load-bearing capacity and be slip-resistant.

### System dimensions

System width: 100 cm and 125 cm  
 System height: 179 cm and 204 cm  
 Base area: 75 cm x 200 cm  
 Platform height: 75 cm and 100 cm

## Components

Pos. no.	Component name	Item no.
1	Top Standard UVH 125	117195
2	Top Standard UVH 50	101309
3	Support UC 25	115959
4	Castor UEW 12 with Spindle	101860
5	Horizontal Ledger UH 75 Plus	114629
6	Horizontal Ledger UH 50 Plus	114595
7	Locking pin Ø 48/57	111053
8	Horizontal Ledger UH 200 Plus	114645
9	Ledger-to-Ledger Coupler UHA	101731
10	Steel Deck UDG-2 25 x 200	132508
11	Horizontal Ledger UH 25 Plus	114613
12	Top Standard UVH 100	100000
13	Top Standard UVH 150	100003
14	Spigot ULT 32	100301

# A1 Mobile Working Platform (Height 0.75 m)

## Frame Assembly

### Components

<b>1</b> Top Standard UVH 125	4x
<b>2</b> Top Standard UVH 50	4x
<b>4</b> Castor UEW 12 with Spindle	2x
<b>5</b> Horizontal Ledger UH 75 Plus	6x
<b>6</b> Horizontal Ledger UH 50 Plus	10x
<b>7</b> Locking Pin Ø 48/57	8x
<b>13</b> Top Standard UVH 150	2x
<b>14</b> Spigot ULT 32	4x

### Assembly

1. Assemble 2x frames according to specifications.
    - Spindle extension 0 cm.
  2. Secure frames against toppling.
  3. Set brake on castor UEW 12 with Spindle (**4**).
- (Fig. A1.01 + A1.01a)

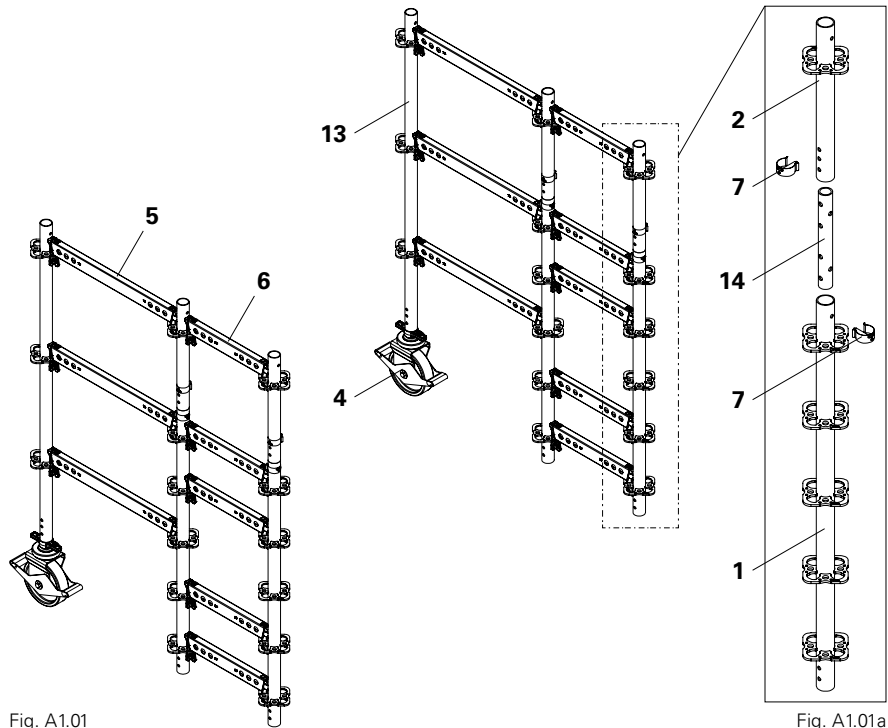


Fig. A1.01

Fig. A1.01a

## Horizontal Ledger Assembly

### Components

<b>8</b> Horizontal Ledger UH 200 Plus	8x
<b>9</b> Ledger-to-Ledger Coupler UHA	4x

### Assembly

1. Position Ledger-to-Ledger Coupler UHA (**9**) centrally on the Horizontal Ledger UH 50 Plus (**6**).
  2. Attach Horizontal Ledgers UH 200 Plus (**8**) and secure wedges with hammer blow.
- (Fig. A1.02)



Support the front legs with squared timber (8 - 10 cm) to facilitate assembly of the castors.

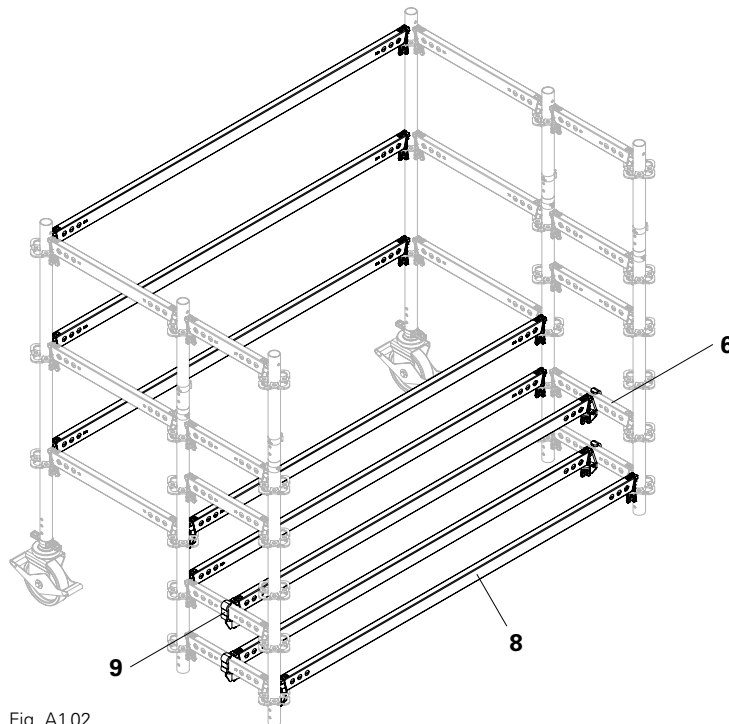


Fig. A1.02

# A1 Mobile Working Platform (Height 0.75 m)

## Decks Assembly

### Components

<b>10</b> Steel Deck UDG-2 25 x 200	5x
-------------------------------------	----

### Assembly

1. Insert Steel Decks UDG-2 (**10**).  
→ Lift lock devices drop beneath the UH ledgers and secure the deck.  
(Fig. A1.03)

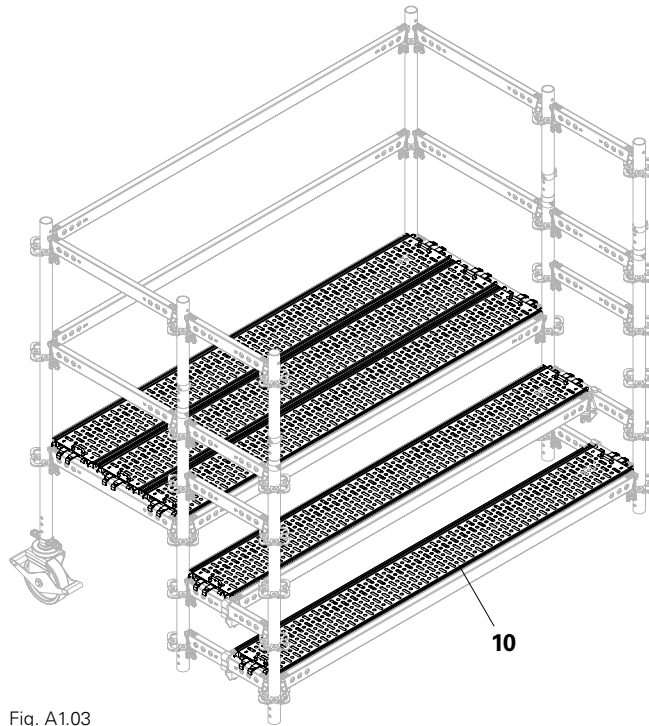


Fig. A1.03

## External Rollers Assembly

### Components

<b>4</b> Castor UEW 12 with Spindle	2x
<b>11</b> Horizontal Ledger UH 25 Plus	4x
<b>12</b> Top Standard UVH 100	2x

### Assembly

1. Spindle out Castors UEW 12 with Spindle (**4**) to the same degree.
2. Insert Castors UEW 12 with Spindle (**4**) in Top Standard UVH 100 (**12**).
3. Fix Top Standards UVH 100 (**12**) with Horizontal Ledger UH 25 Plus (**11**) to the frame.
4. Set brakes on the castors.  
(Fig. A1.04)

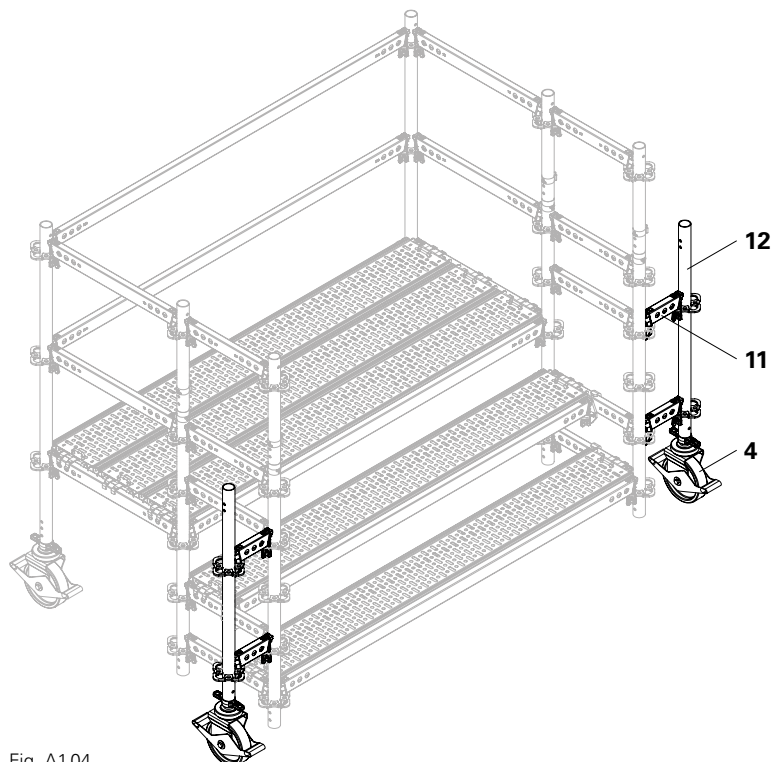


Fig. A1.04

# A2 Mobile Working Platform (Height 1.00 m)



## Frame Assembly

### Components

<b>1</b> Top Standard UVH 125	6x
<b>2</b> Top Standard UVH 50	4x
<b>3</b> Support UC 25	4x
<b>4</b> Castor UEW 12 with Spindle	2x
<b>5</b> Horizontal Ledger UH 75 Plus	8x
<b>6</b> Horizontal Ledger UH 50 Plus	4x
<b>7</b> Locking Pin Ø 48/57	8x
<b>14</b> Spigot ULT 32	4x

### Assembly

1. Assemble 2x frames according to specifications.  
– Spindle extension 0 cm.
  2. Secure frames against toppling.
  3. Set brake on castor UEW 12 with Spindle (**4**).
- (Fig. A2.01 + A2.01a)

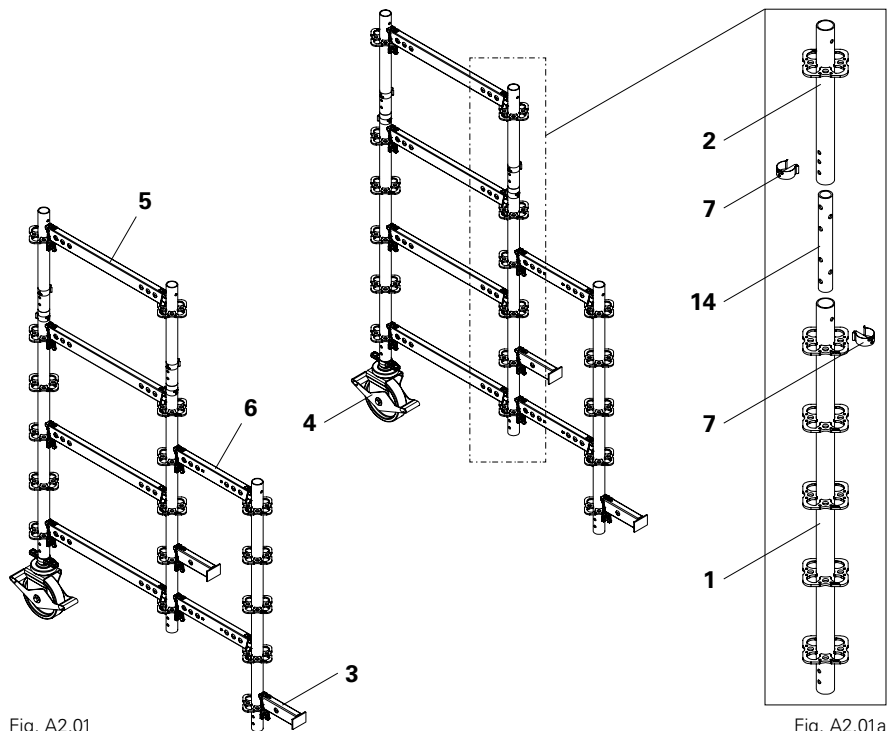


Fig. A2.01

Fig. A2.01a

## Horizontal Ledger Assembly

### Components

<b>8</b> Horizontal Ledger UH 200 Plus	9x
<b>9</b> Ledger-to-Ledger Coupler UHA	2x

### Assembly

1. Position Ledger-to-Ledger Coupler UHA (**9**) centrally on the Horizontal Ledger UH 50 Plus (**6**).
  2. Attach Horizontal Ledgers UH 200 Plus (**8**) and secure wedges with hammer blow.
- (Fig. A2.02)



Support the front legs with squared timber (8 - 10 cm) to facilitate assembly of the castors.

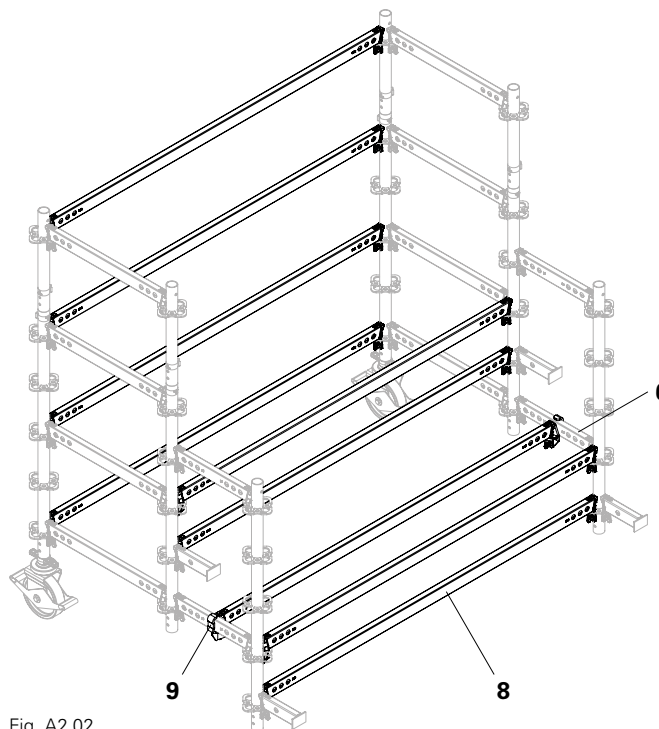


Fig. A2.02

# A2 Mobile Working Platform (Height 1.00 m)

## Decks Assembly

### Components

<b>10</b> Steel Deck UDG-2 25 x 200	6x
-------------------------------------	----

### Assembly

1. Insert Steel Decks UDG-2 (**10**).  
→ Lift lock devices drop beneath the UH ledgers and secure the deck.  
(Fig. A2.03)

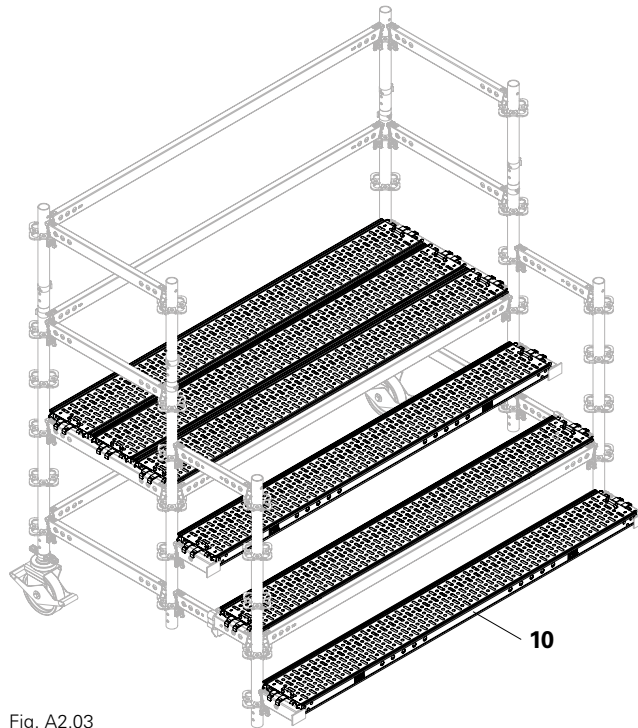


Fig. A2.03

## External Rollers Assembly

### Components

<b>4</b> Castor UEW 12 with Spindle	2x
<b>11</b> Horizontal Ledger UH 25 Plus	4x
<b>12</b> Top Standard UVH 100	2x

### Assembly

1. Spindle out Castors UEW 12 with Spindle (**4**) to the same degree.
2. Insert Castors UEW 12 with Spindle (**4**) in Top Standard UVH 100 (**12**).
3. Fix Top Standards UVH 100 (**12**) with Horizontal Ledger UH 25 Plus (**11**) to the frame.
4. Set brakes on the castors.  
(Fig. A2.04)

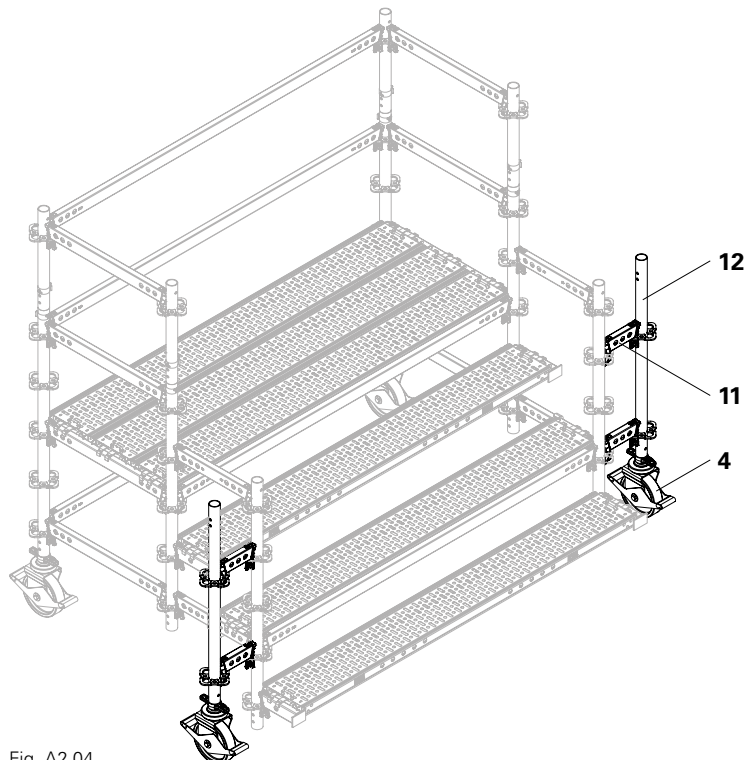


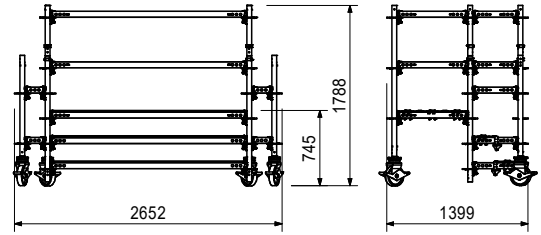
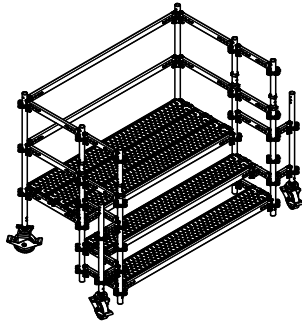
Fig. A2.04

# PERI UP Flex Mobile Working Platform

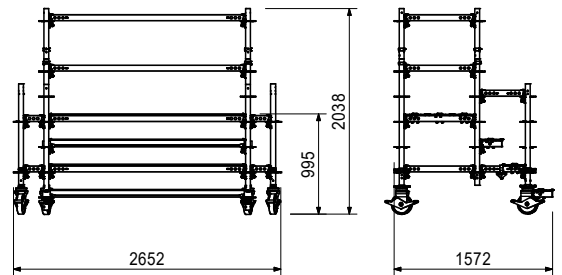
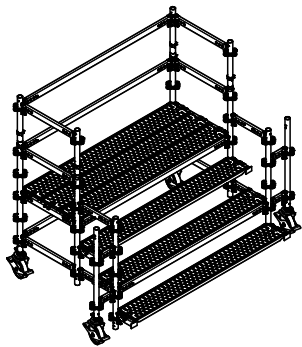


Item no. Weight kg

001154 233.932 PERI UP Mobile Working Platform 75



001155 246.090 PERI UP Mobile Working Platform 100

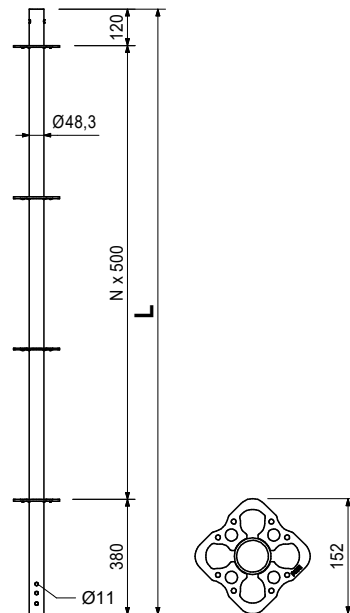


101309	2.090
100000	4.210
117195	6.060
100003	6.310

**Top Standards UVH**  
**Top Standard UVH 50**  
**Top Standard UVH 100**  
**Top Standard UVH 125**  
**Top Standard UVH 150**

Without pin for supporting head spindles.

L
500
1,000
1,250
1,500





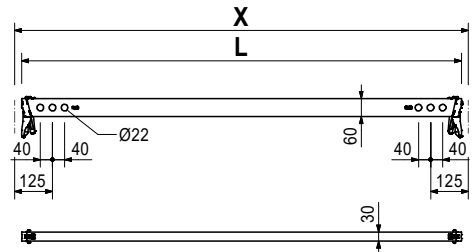
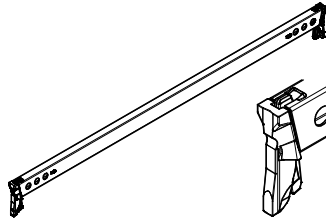
Item no. Weight kg

		<b>Horizontal Ledger UH Plus</b>	<b>L</b>	<b>X</b>
114613	1.410	<b>Horizontal Ledger UH 25 Plus</b>	204	250
114595	2.030	<b>Horizontal Ledger UH 50 Plus</b>	454	500
114629	2.690	<b>Horizontal Ledger UH 75 Plus</b>	704	750
114645	6.000	<b>Horizontal Ledger UH 200 Plus</b>	1,954	2,000

		<b>Horizontal Ledger UH Plus</b>	<b>L</b>	<b>X</b>
114613	1.410	<b>Horizontal Ledger UH 25 Plus</b>	204	250
114595	2.030	<b>Horizontal Ledger UH 50 Plus</b>	454	500
114629	2.690	<b>Horizontal Ledger UH 75 Plus</b>	704	750
114645	6.000	<b>Horizontal Ledger UH 200 Plus</b>	1,954	2,000

**Note**

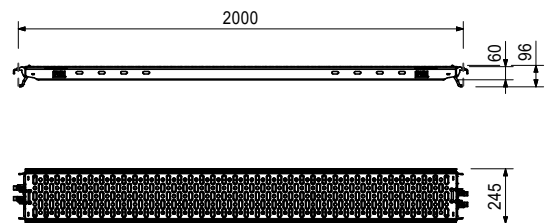
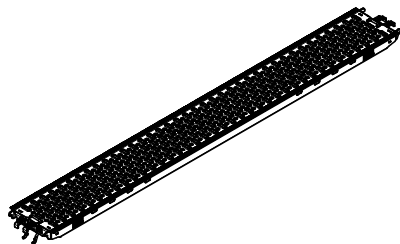
With length marking for easier identification.



132508	10.500	<b>Steel Deck UDG-2 25 x 200</b> Length: 2,000 - 2,500 with height of 60 mm
--------	--------	--

**Note**

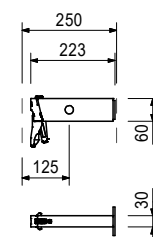
Values correspond with EN 12811-1



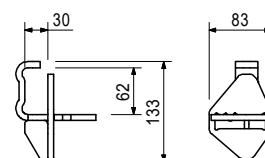
115959	1.160	<b>Support UC 25</b>
--------	-------	----------------------

**Note**

Small console brackets with limit stop for fixing the decks in place.



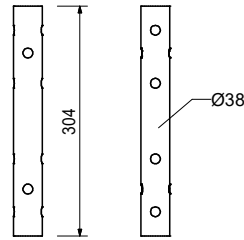
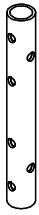
101731	0.841	<b>Ledger-to-Ledger Coupler UHA</b> For connecting horizontal ledgers at right-angles.
--------	-------	---



Item no.	Weight kg
100301	0.969

### Spigot ULT 32

Single pin for connection of tubes  $\varnothing 48.3 \times 3.2$  mm, e.g. formwork girders or top standards without interlock.



111053	0.059
100719	0.060

Accessories

### Locking pin $\varnothing 48/57$

**Bolt ISO 4014 M10 x 70-8.8**

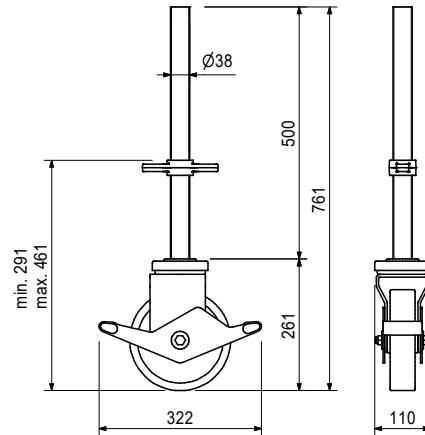
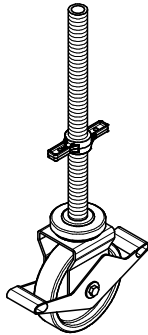
101860	7.500
--------	-------

### Castor UEW 12 with Spindle, galv.

Wheel for mobile scaffolds. Wheel bodies red.

### Technical data

Permissible load  
 - Locked state: 12 kN  
 - Running state: 8 kN



100863	1.020
--------	-------

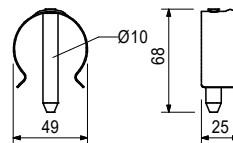
Accessories

### Spindle Locking UJS

111053	0.059
--------	-------

### Locking pin $\varnothing 48/57$

As tension-proof connection of standards with a diameter of 48 up to 57 mm.





## Comparison of components

As part of ongoing product optimisation, the following components have been replaced by 2<sup>nd</sup> generation components.

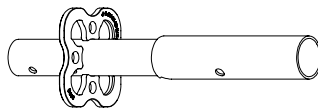
The following comparison tables describe the features of the 1<sup>st</sup> and 2<sup>nd</sup> generation.



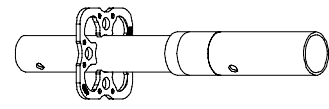
1<sup>st</sup> and 2<sup>nd</sup> generation components can be combined.

- The previous components are no longer available as new components.
- The optimised components are available under a new article number.
- There may be a difference between the load-bearing capacity of the individual components in the previous version and the new version.

**Base Standard UVB 24 / 49**

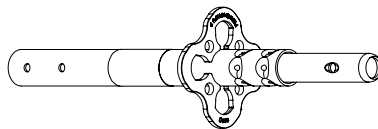


**Base Standard UVB 25 / 50**

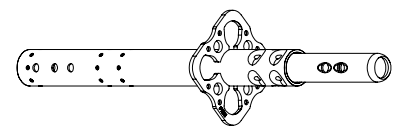


<b>Tube</b>	RO 48.3 mm x <b>3.6 mm</b>	RO 48.3 mm x <b>3.6 mm</b>
<b>Rosette</b>	160 mm x 130 mm x 8 mm	152 mm x 120 mm x 6 mm
<b>System height</b>	24 / 49 cm	25 / 50 cm
<b>Combinability</b>	Geometrically and statically combinable in the system.	

**Standard UVR**

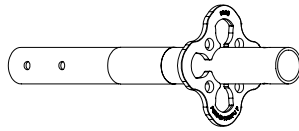


**Standard UVR-2**

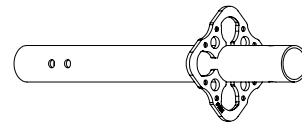


<b>Tube</b>	RO 48.3 mm x <b>3.2 mm</b>	RO 48.3 mm x <b>2.7 mm</b> , embossed points on the bottom standard.
<b>Tube-pin connection</b>	2 rows, with 5 pinch points each	2 rows, with 4 pinch points each
<b>Rosette</b>	160 mm x 130 mm x 8 mm	152 mm x 120 mm x 6 mm
<b>Hole for suspended scaffold</b> (see "PERI UP components")	1 hole perm. F up to 20 kN when fixed 1x	2 holes perm. F up to 15 kN when fixed 1x perm. F up to 31 kN when fixed 2x
<b>Marking</b>	none	striped band at the top and bottom
<b>Combinability</b>	Geometrically and statically* combinable in the system. * The standard configurations in the Instructions for Assembly and Use only apply in conjunction with Horizontal Ledgers UH Plus / UH-2 and UHV Plus / UHV-2. * The load tables shown in the Instructions for Assembly and Use for the Heavy-Duty Prop HD and Shoring Tower Plus systems do not apply to use of the Standard UVR-2. Check the statics beforehand!	

**Top Standard UVH**

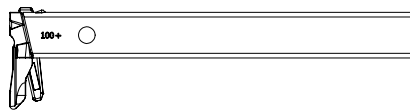


**Top Standard UVH-2**

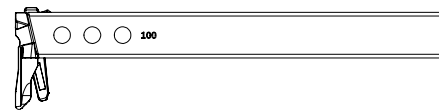


<b>Tube</b>	RO 48.3 mm x <b>3.2 mm</b>	RO 48.3 mm x <b>3.2 mm</b>
<b>Rosette</b>	160 mm x 130 mm x 8 mm	152 mm x 120 mm x 6 mm
<b>Hole for suspended scaffold</b> (see "PERI UP components")	1 hole perm. F up to 20 kN when fixed 1x	2 holes perm. F up to 15 kN when fixed 1x perm. F up to 31 kN when fixed 2x
<b>Combinability</b>	Geometrically and statically combinable in the system.	

**Horizontal Ledger UH Plus**

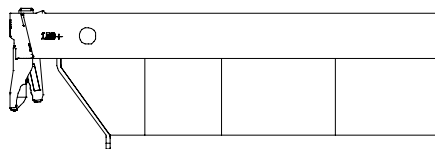


**Horizontal Ledger UH-2**

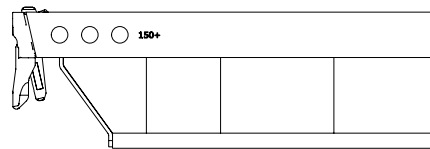


<b>UBL assembly points</b>	2 x 1, for assembly of a Ledger Brace UBL	2 x 3, for assembly of up to three Ledger Braces UBL When installing only one ledger brace preferably use the middle assembly point. Ledger Braces UBL can be mounted at very flat installation angles using the middle assembly point only. Check the geometry beforehand!
<b>Combinability</b>	Geometrically and statically combinable in the system.	

**Horizontal Ledger UHV Plus**

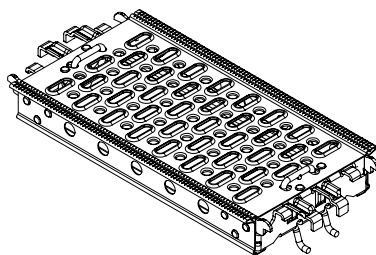


**Horizontal Ledger UHV-2**

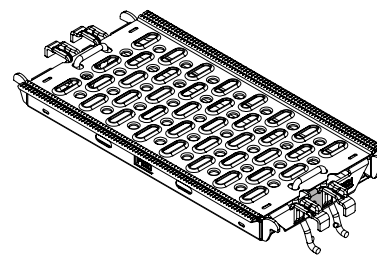


<b>UBL assembly points</b>	2 x 1, for assembly of a Ledger Brace UBL	2 x 3, for assembly of up to three Ledger Braces UBL When installing only one ledger brace preferably use the middle assembly point. Ledger Braces UBL can be mounted at very flat installation angles using the middle assembly point only. Check the geometry beforehand!
<b>Combinability</b>	Geometrically and statically combinable in the system.	

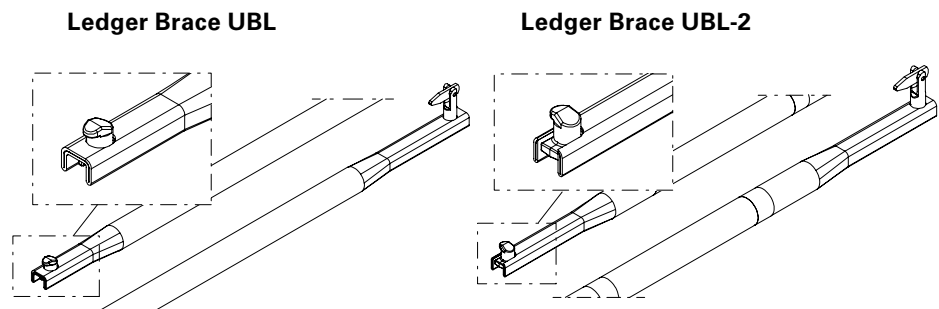
**Steel Deck UDG**



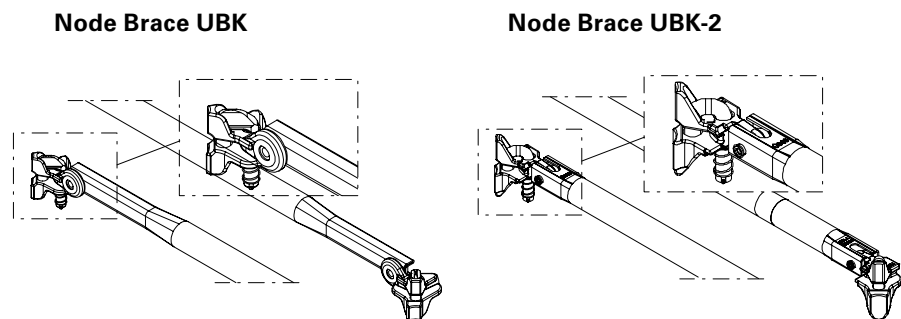
**Steel Deck UDG-2**



<b>Deck assembly</b>	riveted and welded	welded
<b>Profile height</b>	65 mm, uniform	L 50 – 150: 45 mm L 200 – 250: 60 mm L 300: 70 mm
<b>Marking</b>	without	coloured clip on the front side
<b>Combinability</b>	Geometrically and statically combinable in the system.	



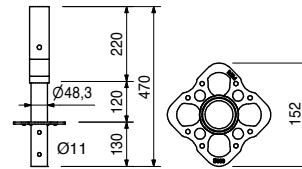
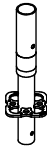
<b>UBL Mounting Lug</b>	points in the longitudinal direction	points in the transverse direction
<b>Combinability</b>	Geometrically and statically combinable in the system.	
<b>Marking</b>	none	Band at the top and bottom
<b>Handling</b>	Tilt in to install.	Swivel in to install (less lateral space required for installation).



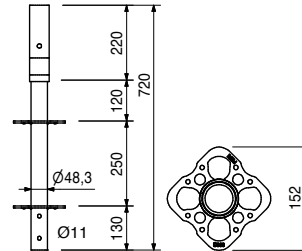
<b>Head piece connected to the diagonal tube</b>	riveted to crimped tube	bolted to cast shaped component
<b>Combinability</b>	Geometrically and statically combinable in the system.	
<b>Marking</b>	none	Band at the top and bottom
<b>Features</b>	Galvanised heads	Yellow-coated heads

Article no. Weight kg

133499 2.270 **Base Standard UVB 25**

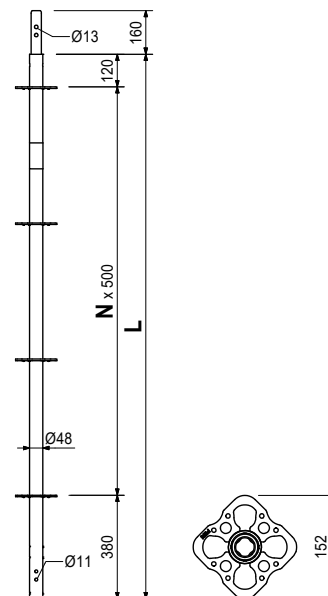


135187 3.590 **Base Standard UVB 50**

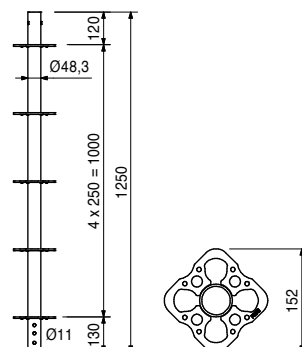
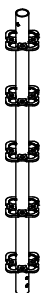


132219	2.480	<b>Standard UVR-2</b>
132224	4.340	<b>Standard UVR-2 50</b>
132229	6.180	<b>Standard UVR-2 100</b>
132234	8.030	<b>Standard UVR-2 150</b>
132239	11.700	<b>Standard UVR-2 200</b>
		<b>Standard UVR-2 300</b>

**L**  
500  
1,000  
1,500  
2,000  
3,000



132196 6.060 **Top Standard UVH-2 125**  
Without pin for supporting head spindles. Reduces necessary spindle extensions with 25 cm rosette spacing.





Article no. Weight kg

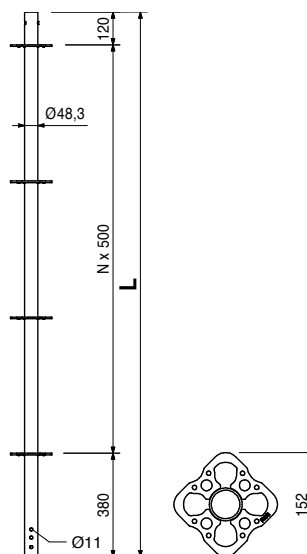
132123	2.090
132194	4.210
132198	6.310
132200	8.420
100002	10.500

**Top Standards UVH-2**  
**Top Standard UVH-2 50**  
**Top Standard UVH-2 100**  
**Top Standard UVH-2 150**  
**Top Standard UVH-2 200**  
**Top Standard UVH-2 250**

Without pin for supporting head spindles.



L
500
1,000
1,500
2,000
2,500



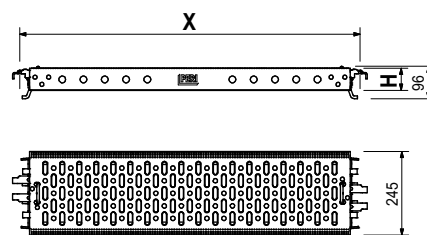
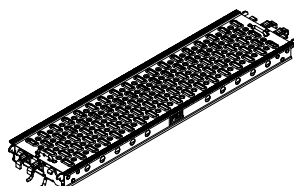
132479	3.340
132483	4.100
132488	4.470
132492	5.590
132502	6.730
132505	7.870
132508	10.500
132511	12.900
132515	15.800

**Steel Decks UDG-2 25**  
**Steel Deck UDG-2 25X 50**  
**Steel Deck UDG-2 25X 67**  
**Steel Deck UDG-2 25X 75**  
**Steel Deck UDG-2 25X100**  
**Steel Deck UDG-2 25X125**  
**Steel Deck UDG-2 25X150**  
**Steel Deck UDG-2 25X200**  
**Steel Deck UDG-2 25X250**  
**Steel Deck UDG-2 25X300**

X	perm. p [kN/m <sup>2</sup> ]	H
500	6.0	45
670	6.0	45
750	6.0	45
1,000	6.0	45
1,250	6.0	45
1,500	6.0	45
2,000	6.0	60
2,500	4.5	60
3,000	3.0	70

**Note**

Values correspond with EN 12811-1

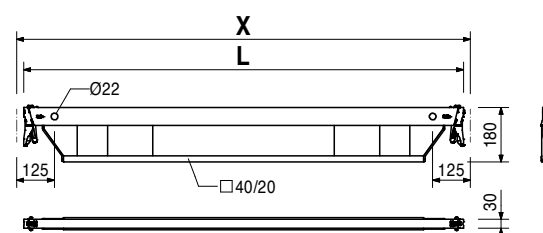
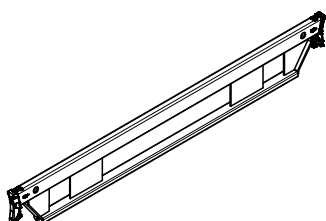


137020	9.410
137025	12.700
137030	15.200
137035	18.500

**Horizontal Ledger UHV-2**  
**Horizontal Ledger UHV-2 150**  
**Horizontal Ledger UHV-2 200**  
**Horizontal Ledger UHV-2 250**  
**Horizontal Ledger UHV-2 300**

For high loads, e.g. in the case of material storage.

L	X
1,454	1,500
1,954	2,000
2,454	2,500
2,954	3,000



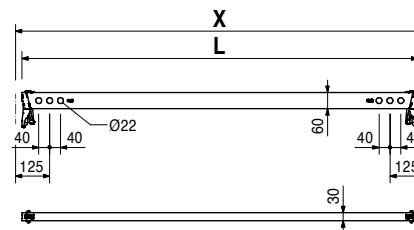
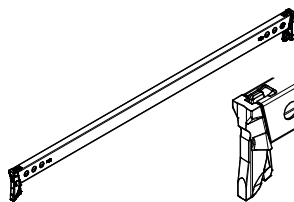
Article no. Weight kg

Article no.	Weight kg	Horizontal Ledger UH-2
131995	1.40	Horizontal Ledger UH-2 25
133900	1.50	Horizontal Ledger UH-2 33
131998	2.03	Horizontal Ledger UH-2 50
133903	2.48	Horizontal Ledger UH-2 67
132213	2.69	Horizontal Ledger UH-2 75
132004	3.79	Horizontal Ledger UH-2 100
132007	4.58	Horizontal Ledger UH-2 125
132010	4.68	Horizontal Ledger UH-2 150
132013	5.34	Horizontal Ledger UH-2 175
132016	6.00	Horizontal Ledger UH-2 200
132019	6.66	Horizontal Ledger UH-2 225
132025	7.32	Horizontal Ledger UH-2 250
132022	8.65	Horizontal Ledger UH-2 300

L	X
204	250
284	330
454	500
624	670
704	750
954	1,000
1,204	1,250
1,454	1,500
1,704	1,750
1,954	2,000
2,204	2,250
2,454	2,500
2,954	3,000

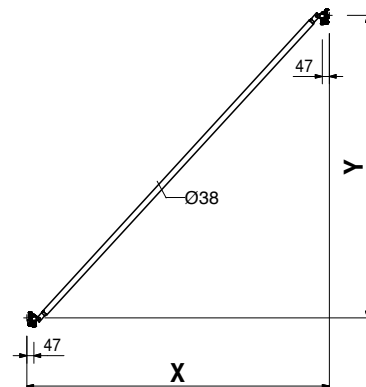
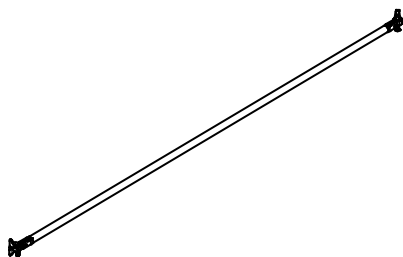
**Note**

With length marking for easier identification.



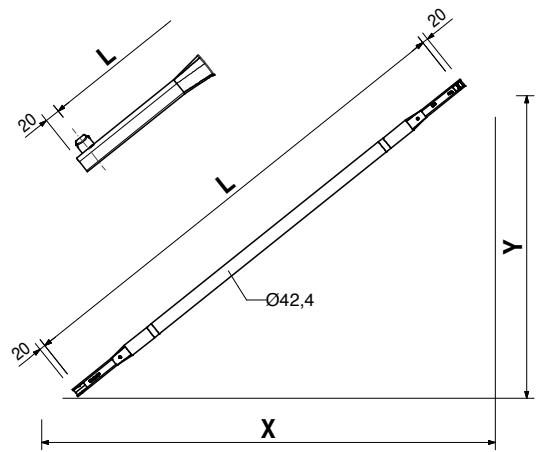
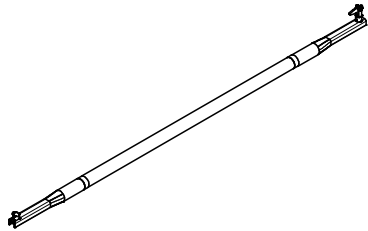
Article no.	Weight kg	Node Brace UBK-2
133418	4.96	Node Brace UBK-2 75/200
133421	5.11	Node Brace UBK-2 100/200
133424	3.88	Node Brace UBK-2 125/100
133427	5.30	Node Brace UBK-2 125/200
133430	4.22	Node Brace UBK-2 150/100
133433	4.82	Node Brace UBK-2 150/150
133436	5.53	Node Brace UBK-2 150/200
133439	4.97	Node Brace UBK-2 200/100
133442	5.47	Node Brace UBK-2 200/150
133445	6.08	Node Brace UBK-2 200/200
133448	5.77	Node Brace UBK-2 250/100
133451	6.19	Node Brace UBK-2 250/150
133454	6.72	Node Brace UBK-2 250/200
133457	6.60	Node Brace UBK-2 300/100
133460	6.96	Node Brace UBK-2 300/150
133463	7.42	Node Brace UBK-2 300/200

L	X	Y
2,190	750	2,000
2,285	1,000	2,000
1,625	1,250	1,000
2,401	1,250	2,000
1,821	1,500	1,000
2,152	1,500	1,500
2,539	1,500	2,000
2,246	2,000	1,000
2,521	2,000	1,500
2,860	2,000	2,000
2,696	2,500	1,000
2,930	2,500	1,500
3,226	2,500	2,000
3,131	3,000	1,000
3,356	3,000	1,500
3,625	3,000	2,000



Article no. Weight kg

Article no.	Weight kg		L	X	Y
		<b>Ledger Braces UBL-2</b>			
132771	2.12	<b>Ledger Brace UBL-2 100/ 50</b>	901	1,000	500
132773	2.81	<b>Ledger Brace UBL-2 100/100</b>	1,250	1,000	1,000
132775	3.66	<b>Ledger Brace UBL-2 100/150</b>	1,677	1,000	1,500
132777	4.58	<b>Ledger Brace UBL-2 100/200</b>	2,136	1,000	2,000
132779	3.01	<b>Ledger Brace UBL-2 150/ 50</b>	1,347	1,500	500
132781	3.51	<b>Ledger Brace UBL-2 150/100</b>	1,601	1,500	1,000
132783	4.21	<b>Ledger Brace UBL-2 150/150</b>	1,953	1,500	1,500
132785	5.02	<b>Ledger Brace UBL-2 150/200</b>	2,358	1,500	2,000
132787	5.31	<b>Ledger Brace UBL-2 175/200</b>	2,500	1,750	2,000
132789	3.95	<b>Ledger Brace UBL-2 200/ 50</b>	1,820	2,000	500
132791	4.34	<b>Ledger Brace UBL-2 200/100</b>	2,016	2,000	1,000
132793	4.92	<b>Ledger Brace UBL-2 200/150</b>	2,305	2,000	1,500
132795	5.62	<b>Ledger Brace UBL-2 200/200</b>	2,658	2,000	2,000
132797	4.43	<b>Ledger Brace UBL-2 225/ 50</b>	2,062	2,250	500
132808	4.78	<b>Ledger Brace UBL-2 225/100</b>	2,236	2,250	1,000
132810	5.96	<b>Ledger Brace UBL-2 225/200</b>	2,829	2,250	2,000
132812	5.23	<b>Ledger Brace UBL-2 250/100</b>	2,462	2,500	1,000
132814	5.71	<b>Ledger Brace UBL-2 250/150</b>	2,705	2,500	1,500
132816	6.32	<b>Ledger Brace UBL-2 250/200</b>	3,010	2,500	2,000
132827	5.90	<b>Ledger Brace UBL-2 300/ 50</b>	2,795	3,000	500
132829	6.16	<b>Ledger Brace UBL-2 300/100</b>	2,926	3,000	1,000
132831	6.57	<b>Ledger Brace UBL-2 300/150</b>	3,133	3,000	1,500
132833	7.10	<b>Ledger Brace UBL-2 300/200</b>	3,400	3,000	2,000



**The optimal System  
for every Project and  
every Requirement**



**Wall Formwork**



**Column Formwork**



**Slab Formwork**



**Climbing Systems**



**Bridge Formwork**



**Tunnel Formwork**



**Shoring Systems**



**Construction Scaffold**



**Facade Scaffold**



**Industrial Scaffold**



**Access**



**Protection Scaffold**



**Safety Systems**



**System-Independent  
Accessories**



**Services**



**PERI GmbH**  
**Formwork Scaffolding Engineering**  
 Rudolf-Diesel-Strasse 19  
 89264 Weissenhorn  
 Germany  
 Tel. +49 (0)7309.950-0  
 Fax +49 (0)7309.951-0  
 info@peri.com  
 www.peri.com

