

PERI UP Easy Frame

The lightweight and fast facade scaffolding

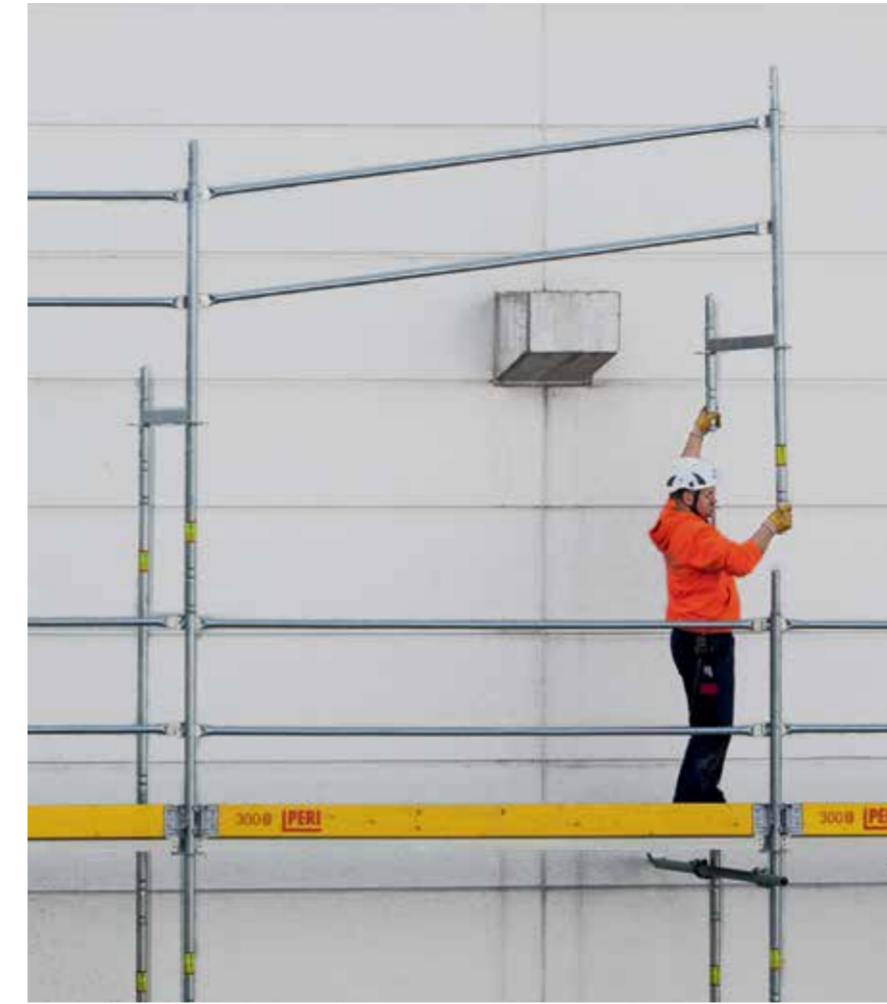


Lightweight
Simple and flexible handling
Less physical strain for site personnel



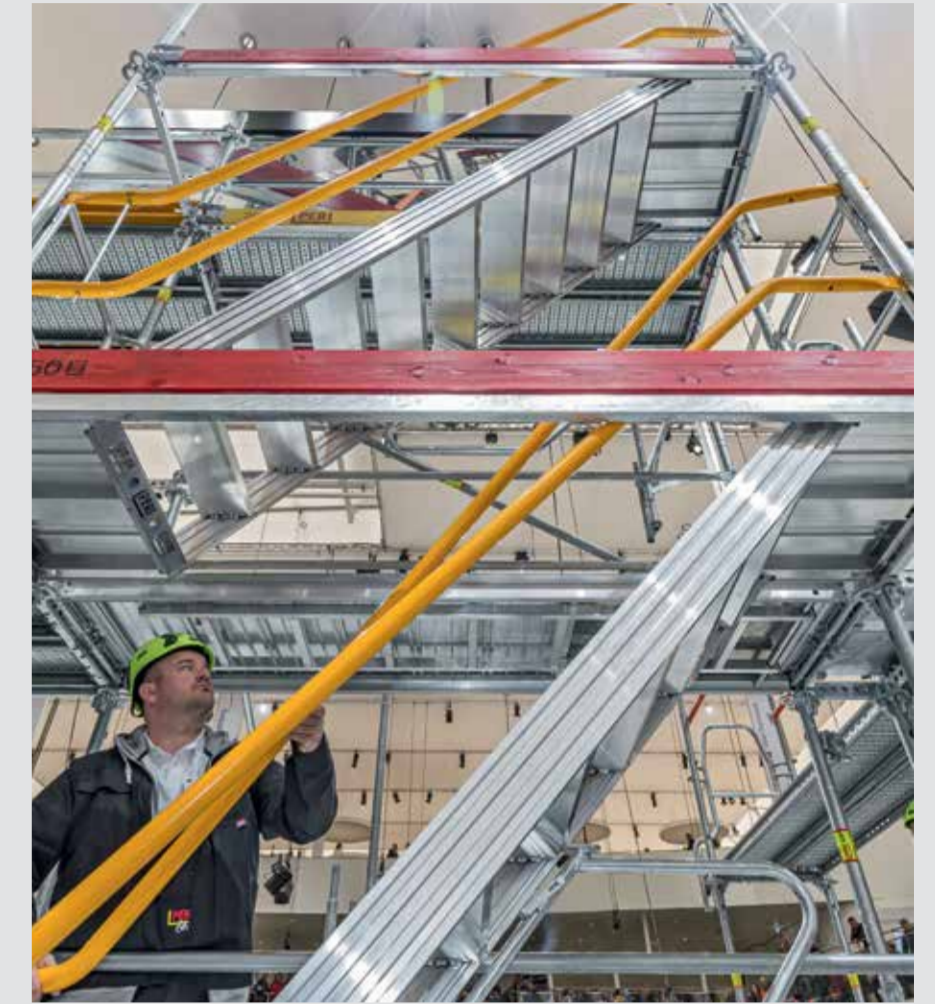
A "lightweight" among facade scaffolding systems.

Safe
Permanent guardrail in advance
Complies with the specifications of TRBS 2121-1



Fall protection without any additional components due to the system-dependent assembly process.

Cost-effective
High degree of material utilisation
Scaffolding system with only a minimum of components



Ledgers, standards and other components can also be used for realising attached external access with staircase.

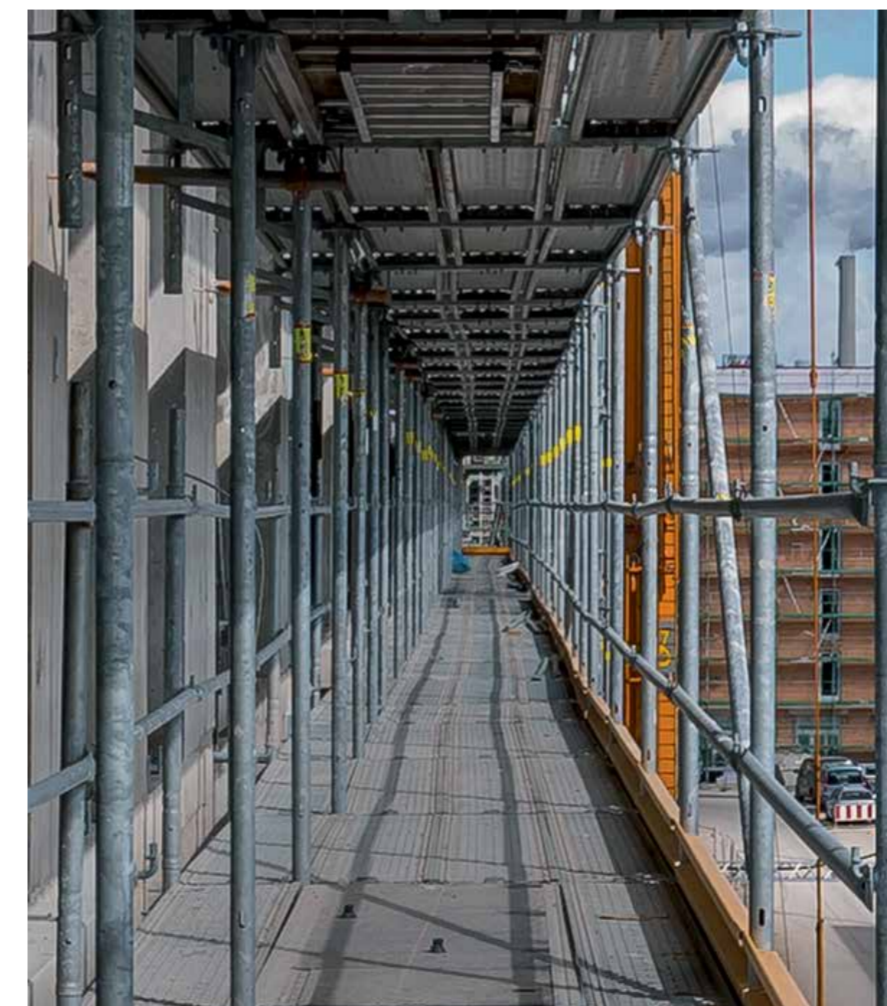


Lightweight individual components
Fast assembly



Faster assembly with lightweight individual components (e.g. brackets or frame components). Mounting takes place with virtually no couplers and a minimum use of tools.

Even and secure decking areas
No offsets – no tripping hazards



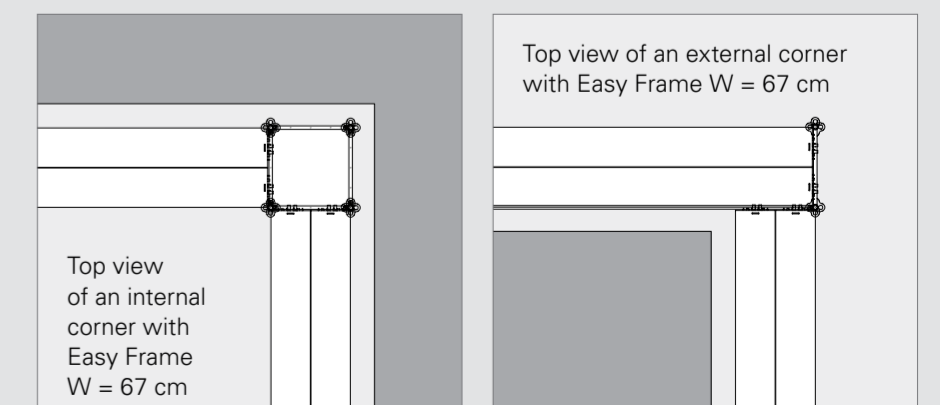
After installation, decks are immediately secured by means of the integrated protection against lifting (Locking Deck).

Well thought-out assembly logic
Small number of work steps



One decking system logic.

★ Product features	⚙️ Technical advantage	📈 Cost advantage
Lightweight	Good handling due to lightweight components. Less physical strain for site personnel.	Reduced assembly costs. Enhanced assembly performance.
Safe	System-integrated guardrail in advance and without any additional components. Complies with TRBS 2121-1 specifications.	Locking Deck – securing devices integrated in the decking. Even and secure decking areas without any offsets.
Cost-effective	Efficient solutions with only a minimum of components. Compatibility with PERI UP Flex Modular Scaffolding.	Well thought-out assembly logic. Concentration on a few core components.



Simple execution of internal and external corners.